

## DALLA

Ceiling-mounted spotlight fitting



<b>12 AC; 12 DC</b>	<b>MR-16</b>		<b>Gx5,3</b>			<b>IP 20</b>
	<b>5÷25</b>	<b>Ø70</b>		<b>0,12</b>	<b>0,75</b>	<b>0,5m</b>
<b>CE</b>	<b>EAC</b>					



### DALLA CT-DTL50-B



DALLA CT-DTO50-W	<b>22430</b>	max 50	white	in one axis	30
DALLA CT-DTL50-W	<b>22431</b>	max 50	white	in one axis	30
DALLA CT-DTO50-B	<b>22432</b>	max 50	black	in one axis	30
DALLA CT-DTL50-B	<b>22433</b>	max 50	black	in one axis	30



Kanlux DALLA is a very carefully made holder for installation inside. It has a movable ring, thanks to which you can adjust the light stream. Its shapes and universal colours allow achieving a modern, discrete effect of elegance.

- Enclosure material: aluminum alloy

## DALLA

Ceiling-mounted spotlight fitting



DALLA CT-DTO50-W



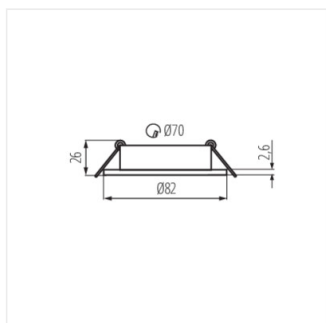
DALLA CT-DTL50-W



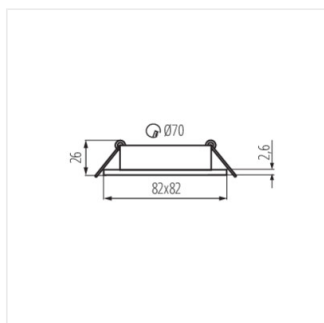
DALLA CT-DTO50-B



DALLA CT-DTL50-B



DALLA CT-DTO50



DALLA CT-DTL50